

Exclusively from your Caterpillar® dealer



## ATI RANGE Load Transfer Panel

Olympian Generating Sets introduces a new range of intelligent load transfer panels, which operates in conjunction with our autostart genset control panels and incorporates the latest state of the art control technology.

The panels use a mechanically held motorised switch to transfer the load between the mains and the genset and vice versa. In the event of mains failure, the control logic will automatically start the genset and transfer the load. The connection between the control panel and the ATI panel incorporates a two wire control system.

### FEATURES

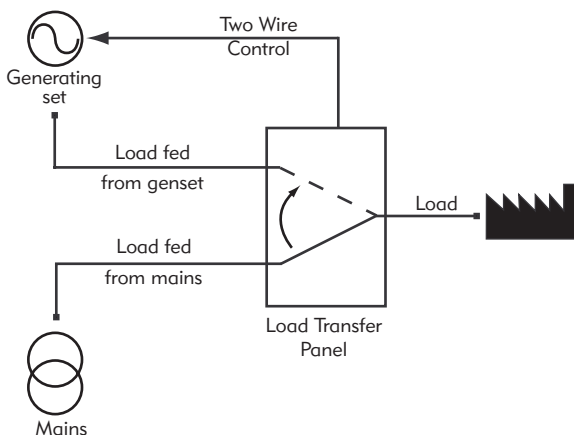
#### CONTROLS

- Automatic & manual operation for increased reliability
- Manual operation possible without opening the panel
- Complete enclosure meets IEC 60947-6-1 standard
- Simple network configurations
- Test operations and sequences are accessible from front panel or remotely

The motorised switch can also be manually operated in the event of failure of any other part of the system. A further benefit of the switch is that it will remain mechanically held in position despite any fluctuations in supply. In addition, should maintenance be required on the control system, the switch will stay in position and can be operated manually.

The electronic control module is situated on the front of the unit. The module will operate with any three phase voltage from 190 to 480 volts (50 or 60 Hz), with easy conversion to single phase operation.

All models have been designed with customer accessibility in mind, boasting features such as a removable front cover, entry gland plate, cable access plate and a removable control module and/or motor.



Exclusively from your Caterpillar® dealer

## FEATURES

- **MOTORISED MECHANICALLY HELD SWITCH**  
Facility for manual changeover
- **STATUS INDICATION**  
Utility power available  
Utility power on load  
Generator available / Generator on load  
Utility power and generator off load  
Manual mode / Automatic mode  
Test on load / Test off load  
Manual re-transfer enabled/required  
Power / Error indication
- **LIQUID CRYSTAL DISPLAY (LCD)**  
Utility power L12, L13, L23 voltage  
Utility power L1N, L2N, L3N voltage  
Generator L13 voltage  
Utility power frequency / Generator frequency  
Number of commutation (service counter)  
Timer settings
- **FACIA**  
Symbolic icons to allow for multi languages
- **CONTROLS**  
Under/over frequency failure  
Under/over frequency restoration  
Manual/auto re-transfer  
Mode select push button  
Under/over volts failure  
Under/over volts restoration  
Delay on start timer  
Delay on transfer  
Delay on re-transfer  
Dead band timer  
Run on timer  
Auto/manual control keyswitch  
Lamp test pushbutton  
Padlock facility
- **STANDARDS**  
Complete enclosure meets standard IEC 60947-6-1  
Switch meets standard AC31B

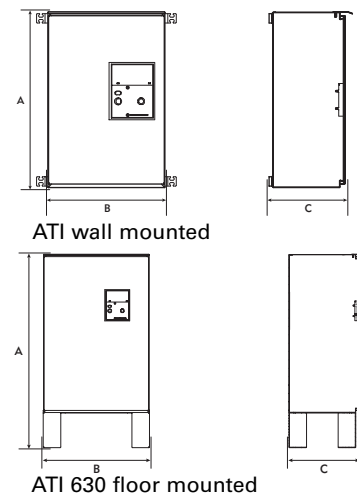
## OPTIONAL FEATURES

- TICT**
  - Top Cable Entry
- TAUX**
  - Auxiliary contacts for switch position, padlocking & auto/manual
- TLPR**
  - Lightning protection ensuring the safety of system during lightning storms
- TIP5**
  - Water Ingress protection IP54 & NEMA 3 protection for the control module
- TCOM**
  - Communications Module Plug in module that uses Jbus/modbus protocol to allow remote communication of the change over system
- TIO2**
  - Volt free contacts for utility power available & generator available
- TMET**
  - To measure load current, kW, kVAr, kVA, Power factor

## ATI DIMENSIONS

Model	Rating Amps	A mm (in)	B mm (in)	C mm (in)	Weight kg
ATI 63	63	600 (23.6)	400 (15.7)	248 (9.8)	21 (46.3)
ATI 100	100	600 (23.6)	400 (15.7)	248 (9.8)	21 (46.3)
ATI 125	125	600 (23.6)	400 (15.7)	248 (9.8)	21 (46.3)
ATI 250	250	900 (35.4)	600 (23.6)	323 (12.7)	39 (86.0)
ATI 400	400	900 (35.4)	600 (23.6)	323 (12.7)	44 (97.0)
ATI 630*	630	1100 (43.3) <sup>†</sup>	600 (23.6)	398 (15.7)	66 (145.5)
ATI 800*	800	1375 (54.1)	775 (30.5)	600 (23.6)	125 (275.6)
ATI 1000*	1000	1375 (54.1)	775 (30.5)	600 (23.6)	130 (286.6)
ATI 1250*	1600	1800 (70.8)	1000 (39.3)	775 (30.5)	230 (507.1)
ATI 1600*	1600	1800 (70.8)	1000 (39.3)	775 (30.5)	263 (579.9)

\*Floor mounted; †Top cable entry model 1350mm (53.1 in)



www.CAT-ElectricPower.com

© 2004 Caterpillar  
All rights reserved.  
Printed in U.S.A.